

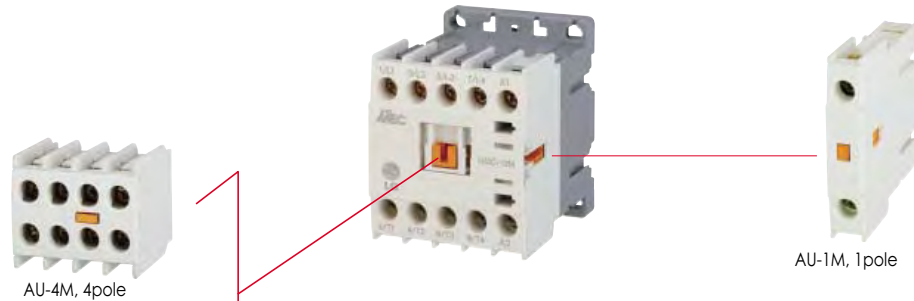
Accessories for mini contactors

Auxiliary contact

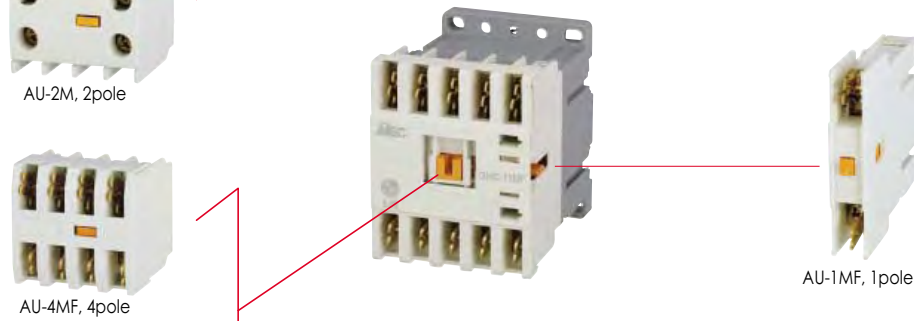
Front mount blocks

Side mount blocks

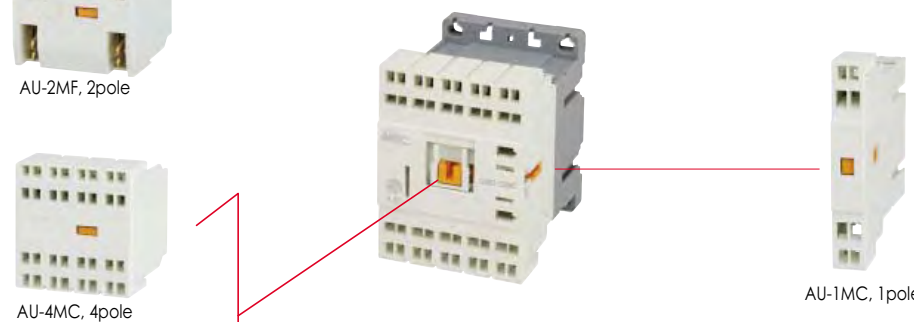
Screw clamp connection



Fast-on connection



Cage clamp connection



Solder pin connection



Catalog No.

Connection type	Applying contactors	Mounting type	Composition	Catalog no.			
Screw clamp	GMC-, GMD-, GMS- 6M, 6MR 9M, 9MR 12M, 12MR 16M, 16MR	Front mount	2NO	AU-2M20			
			2NC	AU-2M02			
			1NO+1NC	AU-2M11			
			4NO	AU-4M40			
			3NO+1NC	AU-4M31			
			2NO+2NC	AU-4M22			
			1NO+3NC	AU-4M13			
			4NC	AU-4M04			
		Side mount	1NO	AU-1M10			
			1NC	AU-1M01			
			Fast-on	GMC-, GMD-, GMS- 6MF, 6MRF 9MF, 9MRF 12MF, 12MRF 16MF, 16MRF	Front mount	2NO	AU-2MF20
						2NC	AU-2MF02
						1NO+1NC	AU-2MF11
						4NO	AU-4MF40
3NO+1NC	AU-4MF31						
2NO+2NC	AU-4MF22						
1NO+3NC	AU-4MF13						
4NC	AU-4MF04						
Side mount	1NO	AU-1MF10					
	1NC	AU-1MF01					
	Cage clamp	GMC-, GMD-, GMS- 6MC, 6MRC 9MC, 9MRC 12MC, 12MRC 16MC, 16MRC			Front mount	2NO	AU-2MC20
						2NC	AU-2MC02
						1NO+1NC	AU-2MC11
						4NO	AU-4MC40
3NO+1NC			AU-4MC31				
2NO+2NC			AU-4MC22				
1NO+3NC			AU-4MC13				
4NC			AU-4MC04				
Side mount			1NO	AU-1MC10			
			1NC	AU-1MC01			
			Solder pin	GMC-, GMD-, GMS- 6MP, 6MRP 9MP, 9MRP 12MP, 12MRP 16MP, 16MRP	Side mount	1NO	AU-1MP10
						1NC	AU-1MP01

Accessories for mini contactors

Timer unit, AT-12M

- Electronic type
- ON/OFF time delay
- Front mount

Timer unit



Surge absorber unit



Electronic Timer

Type	Control voltage	Delay	Time	Applied contactors
AT-12M / IN	AC/DC 24~48V	ON	0.1~30s	GMC-6M~16M GMD-6M~16M
AT-12M / IF	AC/DC 24~48V	OFF	0.1~30s	GMC-6M~16M GMD-6M~16M
AT-12M / 2N	AC 100~220V	ON	0.1~30s	GMC-6M~16M GMD-6M~16M
AT-12M / 2F	AC 100~220V	OFF	0.1~30s	GMC-6M~16M GMD-6M~16M



Surge absorber unit, AS-12M

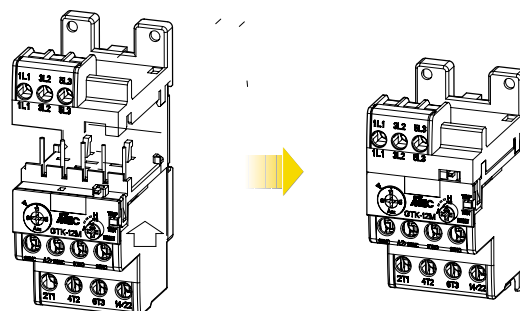
- Coil surge suppressor

Surge absorber unit

Type	Internal element	Operational voltage	Applied contactors
AS-12M / 1	Varistor	AC24~48V	GMC-6M~16M
AS-12M / 2		AC60~127V	
AS-12M / 3		AC200~240V	
AS-12M / 4		DC12~24V	GMD-6M~16M
AS-12M / 5		DC30~72V	
AS-12M / 6		DC100~127V	
AS-12M / 7		DC200~250V	

Separate mounting unit, AZ-12MH

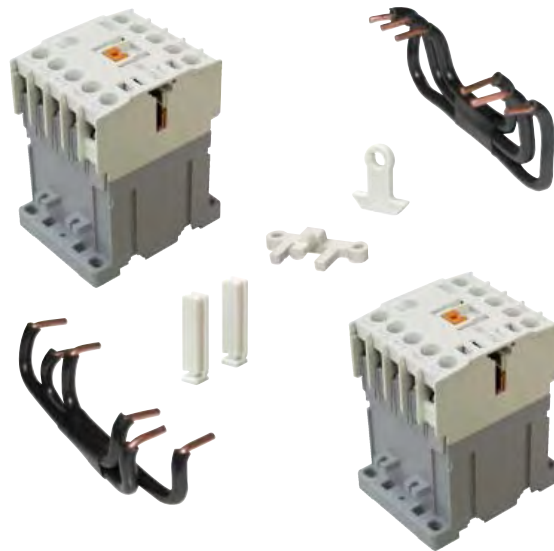
- To mount a relay separately from a contactor
- Mountable on DIN rail or by screw fixing



Interlock unit, AR-12M

consists of

- Mechanical interlock components
- Cable kits for line and load sides



Solder pin terminals

To modify the connection to Solder pin type from Screw clamp type
Available for contactors and auxiliary contact blocks



+



DC Control



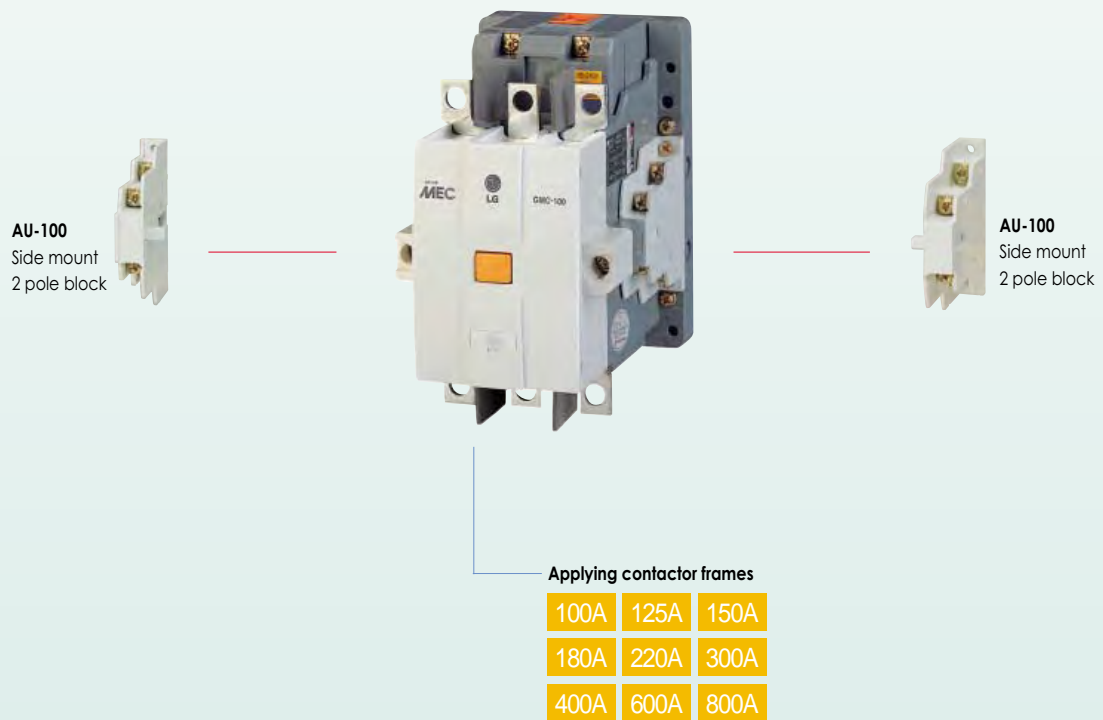
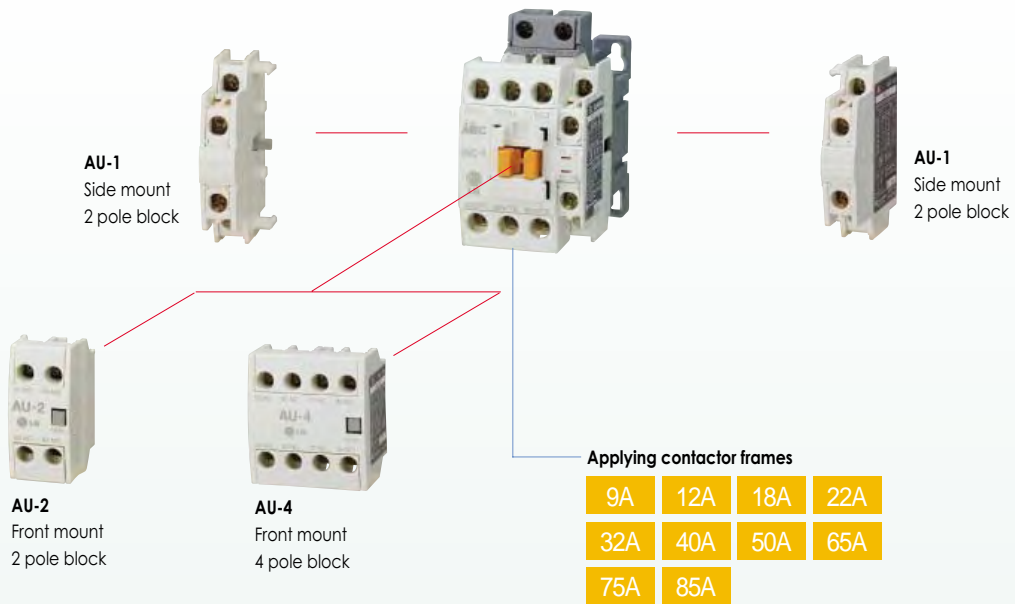
AC Control



Accessories

Auxiliary contact

Option



Type

Applying contactors	Mounting type	Poles	Composition	Type
GM-9 to 85 type (9 to 85A frame)	Front mount	2 pole	2NO	AU-2
			2NC	
			1NO+1NC	
		4 pole	4NO	AU-4
			3NO+1NC	
	2NO+2NC			
	1NO+3NC			
	Side mount	2 pole	1NO	AU-1
			1NC	
	GM-100 to 800 type (100 to 800A frame)	Side mount	2pole	1NO
1NC				

Contact ratings

		AU-2	AU-4	AU-1	AU-100
Continuous current, lth		16A	16A	16A	16A
AC15 duty (A600)	120V	6A	6A	6A	6A
	240V	3A	3A	5A	5A
	480V	1.5A	1.5A	3A	3A
	600V	2A	2A	3A	3A
DC13 duty (P600)	125V	1.1A	1.1A	1.1A	1.1A
	250V	0.55A	0.55A	0.55A	0.55A
	440V	0.31A	0.31A	0.31A	0.31A
	600V	0.2A	0.2A	0.2A	0.2A

Performance

		AU-2	AU-4	AU-1	AU-100
Operation cycles/hour		1800	1800	1800	1800
Mechanical lifetime (mil. operations)		20	20	25	10
Electrical lifetime, (mil. operations)					
AC15 duty	220V	0.5	0.5	0.5	0.5
	440V	0.5	0.5	0.5	0.5
AC12 duty	220V	0.25	0.25	0.25	0.25
	440V	0.25	0.25	0.25	0.25
DC13, 12 duty	24~220V	0.5	0.5	0.5	0.5

Accessories

Mechanical interlock

Mechanical interlock, AR9

- for contactor frames

9A

12A

18A

22A

32A

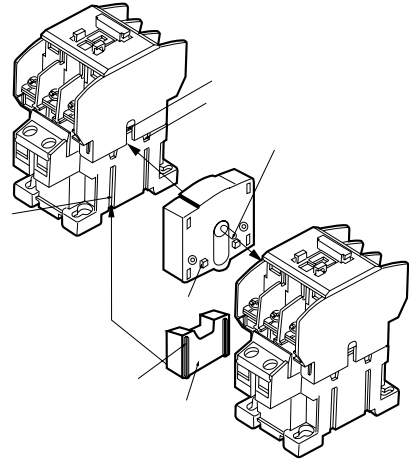
40A

50A

65A

75A

85A



Mechanical interlock, AR100 and AR180

AR100: 100A 125A 150A

AR180: 180A 220A 300A 400A

100A

125A

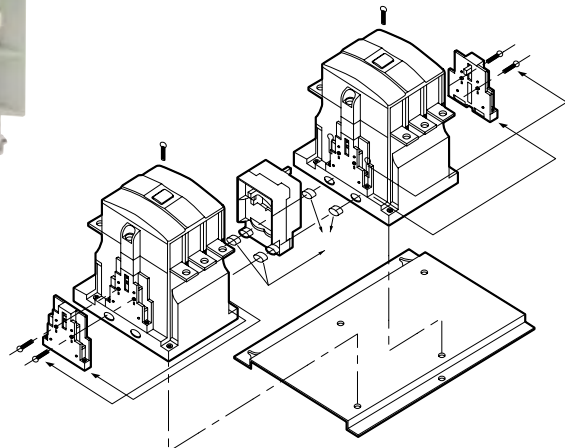
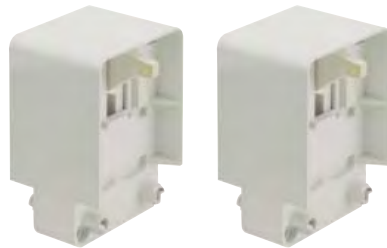
180A

220A

300A

400A

for 4 pole contactor



Mechanical interlock, AR600

- for contactor frames

600A

800A



Mechanical latch unit



Applying contactors	Type	Rebound coil voltage	
		Nominal volt.	Rated volt.
GM-9 to 40 type (9 to 40A frame)	AL-9	AC100V	100~127V 50/60Hz
		AC200V	200~240V 50/60Hz
GM-50 to 85 type (50 to 85A frame)	AL-50	AC300V	260~350V 50/60Hz
		AC400V	380~440V 50/60Hz
		AC500V	460~550V 50/60Hz
		DC12V	DC12V
		DC24V	DC24V
		DC48V	DC48V
		DC100V	DC100~110V
		DC125V	DC120~125V
		DC200V	DC200~220V



Note)

GMC-100, 125 type (100, 125A frame)	AL-100		
GMC-150 type (150A frame)	AL-150	AC100V	100~127V 50/60Hz
GMC-180, 220 type (180, 220A frame)	AL-220	AC200V	200~240V 50/60Hz
GMC-300, 400 type (300, 400A frame)	AL-400		

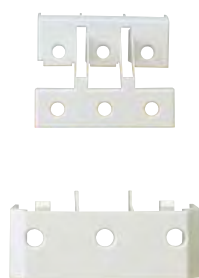
Note) As connection of latch unit it requires experts' skill, it is not separately provided from magnetic contactor.

Terminal cover unit for Contactors



Applying contactors	Type		Remarks
	for 3 Pole	for 4 Pole	
GMC-100, 125 type (100, 125A frame)	AP100	AP220/4	2 pcs included
GMC-150 type (150A frame)	AP150		
GMC-180, 220 type (180, 220A frame)	AP220		
GMC-300, 400 type (300, 400A frame)	AP400	AP400/4	
GMC-600, 800 type (600, 800A frame)	AP800	AP800/4	

Terminal cover unit for Thermal overload relays



Applying relays	Type	Remarks
GTK, GTH-125	APT125	
GTK, GTH-150	APT150	
GTK, GTH-220	APT220	
GTK, GTH-400	APT400	
GTK, GTH-600	APT600	



Insulation barrier unit

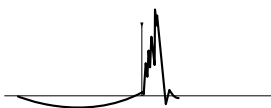
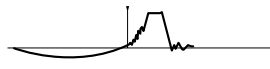

Applying contactors	Type	Remarks
GMC-100, 125, 150 type (100 to 150A frame)	AI-100	4 pcs required per contactor
GMC-180, 220, 300, 400 type (180 to 400A frame)	AI-180	
GMC-600, 800 type (600, 800A frame)	AI-600	

Surge absorber unit



Type of element	Applying contactors	Operation voltage	Element spec.	Type	Catalog No.
Varistor ①	All types GM-9 to 800 (9 to 800A frame)	AC/DC 24~48V	Varistor 120V	AS-11	83611611026
		AC/DC 100~125V	Varistor 270V	AS-12	83611611030
		AC/DC 200~240V	Varistor 470V	AS-13	83611611034
		AC380~440V	Varistor 1000V	AS-14	83611611038
CR + Varistor ②	GMD-9 to 85 (9 to 85A frame with AC coil)	AC24~48V	Varistor 120V 0.1 μ F, 100 Ω	AS-1	83611611002
		AC100~125V	Varistor 270V 0.1 μ F, 100 Ω	AS-2	83611611006
		AC200~240V	Varistor 470V 0.1 μ F, 100 Ω	AS-3	83611611010
	GMD-9 to 85 (9 to 85A frame with DC coil)	DC24~48V	Varistor 120V 0.47 μ F, 100 Ω	AS-4	83611611014
		DC100~125V	Varistor 270V 0.47 μ F, 100 Ω	AS-5	83611611018
		DC200~220V	Varistor 470V 0.47 μ F, 100 Ω	AS-6	83611611022

Comparison

Without surge unit	① With Varistor unit	② With CR+Varistor unit
Surge voltage, arise when the coil is off, may provoke mis-operation and damage in the circuit.	Varistor has an effect to cut down the peak voltage	Varistor has an effect to cut down the peak voltage and high frequency wave
		

Delayed opening device

Delayed opening device prevents the inadvertent opening of a contactor in the event of a wide voltage drop or brief supply voltage interruptions of control power for 1 to 4 seconds.



Applying contactors	Type	Control voltage	
GMD-9, 12, 18, 22, 32, 40 type (9 to 40A frame with DC coil)	AD-9	Delayed opening device	Contactor coil
GMD-50, 65, 75, 85 type (50 to 85A frame with DC coil)	AD-50		
GMC-100, 125, 150, 180, 220 type (100 to 220A frame)	AD-100	AC100~110V	DC100/110V
GMC-300, 400 type (300 to 400A frame)	AD-300	AC200~220V	DC200/220V
GMC-600, 800 type (600. 800A frame)	AD-600		

Drawings & Circuit diagrams : page 190

Lug terminals for Contactors



Applying contactors	Type	Remarks
	for 3 Pole	
GMC-100, 125 type (100, 125A frame)	AJ125 (70821614008)	
GMC-150 type (150A frame)	AJ150 (70821615008)	
GMC-180, 220 type (180, 220A frame)	AJ220 (70821616008)	
GMC-300, 400 type (300. 400A frame)	AJ400 (70821617008)	
GMC-600, 800 type (600. 800A frame)	AJ800 (70821618008)	

Separate mounting unit

In case of installing the overload relays independently, the separate mounting kits are available for screw or 35mm Din-rail mounting.



Type	Applied TOR	Catalog No.
AZ-22H	GTH(K)-22	83661811005
AZ-40H	GTH(K)-40	83661812003
AZ-85H	GTH(K)-85	83661813006

Accessories

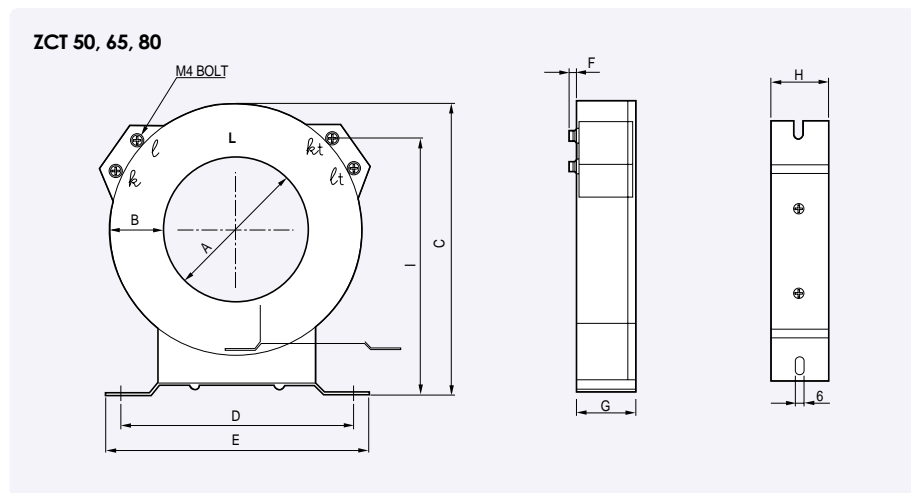
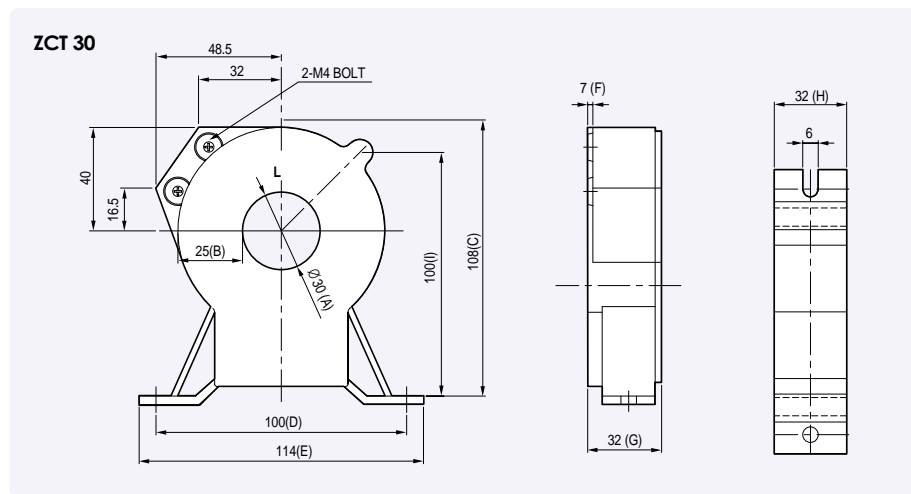
Current transformer

ZCT(Zero-phase Sequence Current Transformer)

Ratings

Type	Diameter(A)	Ratio	Weight(kg)	Model
ZCT, D30, DMP-Z	30	200mA/100mV	0.5	LZT-030
ZCT, D50, DMP-Z	50		0.7	LZT-050
ZCT, D65, DMP-Z	65		0.9	LZT-065
ZCT, D80, DMP-Z	80		1.5	LZT-080

Dimension

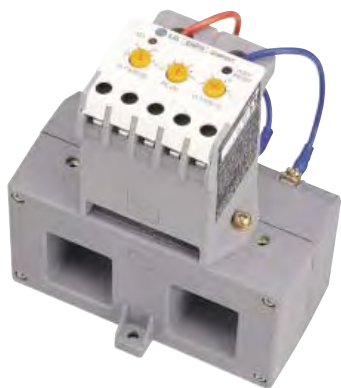


Unit : m/m

Model	A	B	C	D	E	F	G	H	φ
LZT-030	30	25	108	100	114	7	32	32	6
LZT-050	50	25	131	100	122	7	32	36	6
LZT-065	65	26	143	114	133	7	39	37	6
LZT-080	80	34	174	160	180	7	40	40	6

DCT(Current transformer)

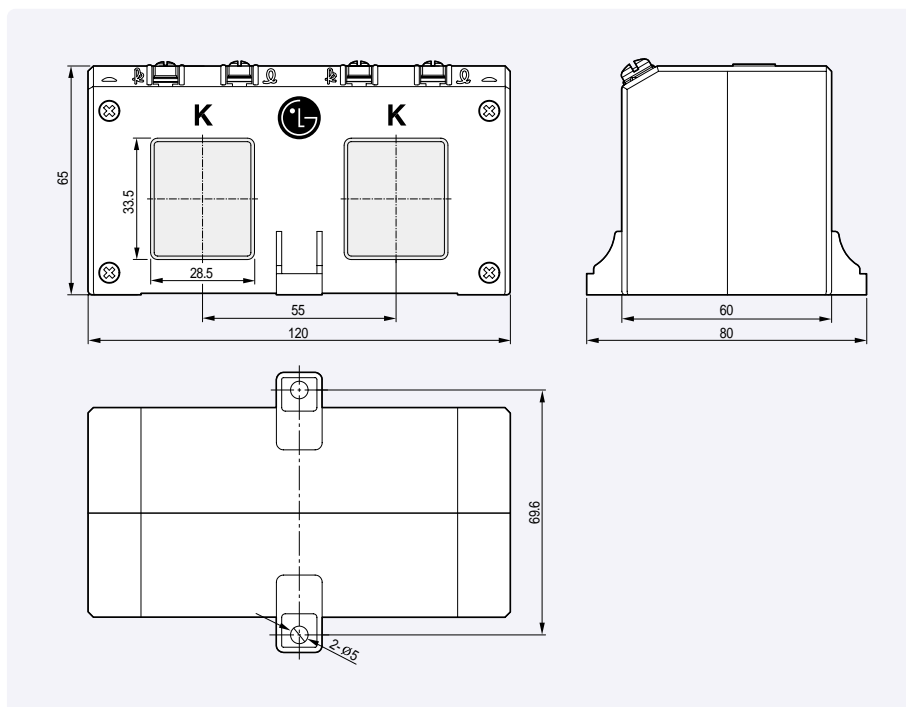
Ratings



Type	2CT	Catalogue No.	
CT ratio	DCT-100	100 : 5A	76012116001
	DCT-150	150 : 5A	76012116002
	DCT-200	200 : 5A	76012116003
	DCT-300	300 : 5A	76012116004
	DCT-400	400 : 5A	76012116005
Class	1.0		
Burden	5VA		
Insulation voltage	600VAC		
Insulated impulse voltage	2kV		
Insulation resistance	10MΩ (DC 500V Megger)		
Mounting	Panel		

Note) Please use DCT for LG Electronic Motor Protection Relay only.

Dimension



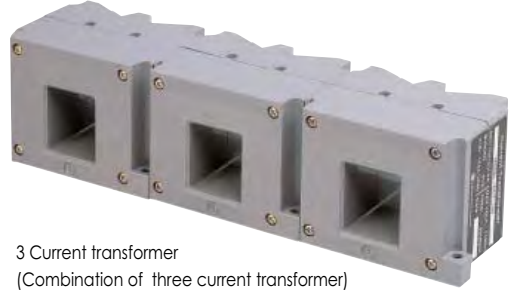
Accessories

Current transformer

SCT(Current transformer)



1 Current transformer



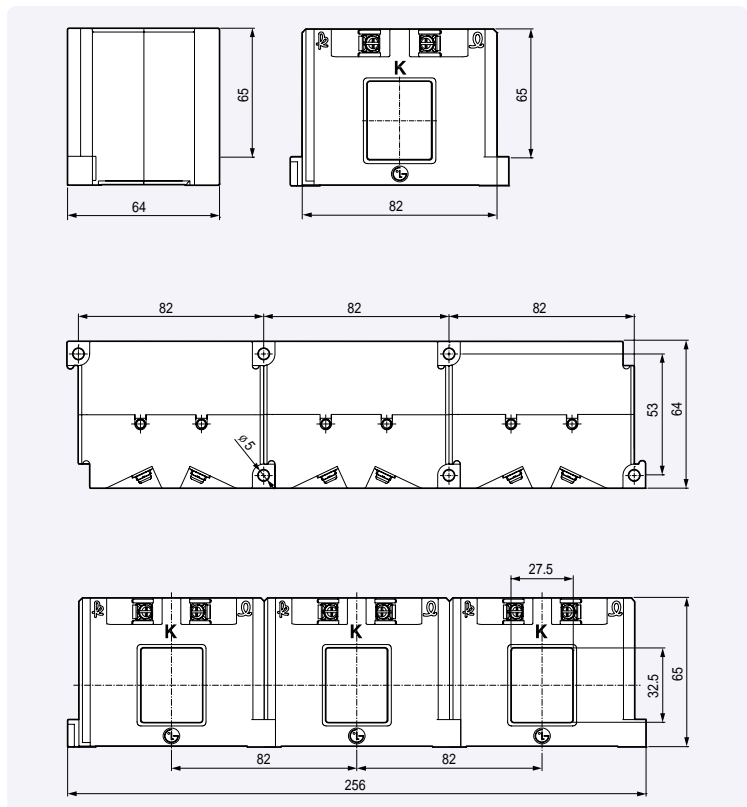
3 Current transformer
(Combination of three current transformer)

Ratings

Type		2CT	Catalogue No.
CT ratio	SCT-100	100 : 5A	76012116006
	SCT-150	150 : 5A	76012116007
	SCT-200	200 : 5A	76012116008
	SCT-300	300 : 5A	76012116009
	SCT-400	400 : 5A	76012116010
Class		1.0	
Burden		5VA	
Insulation voltage		600VAC	
Insulated impulse voltage		2kV	
Insulation resistance		10MΩ (DC 500V Megger)	
Mounting		Panel	

Note) Please use DCT for LG Electronic Motor Protection Relay & DMPR only.

Dimension



Installation with
Electronic Motor Protection Relay



Installation with
Digital Motor Protection Relay